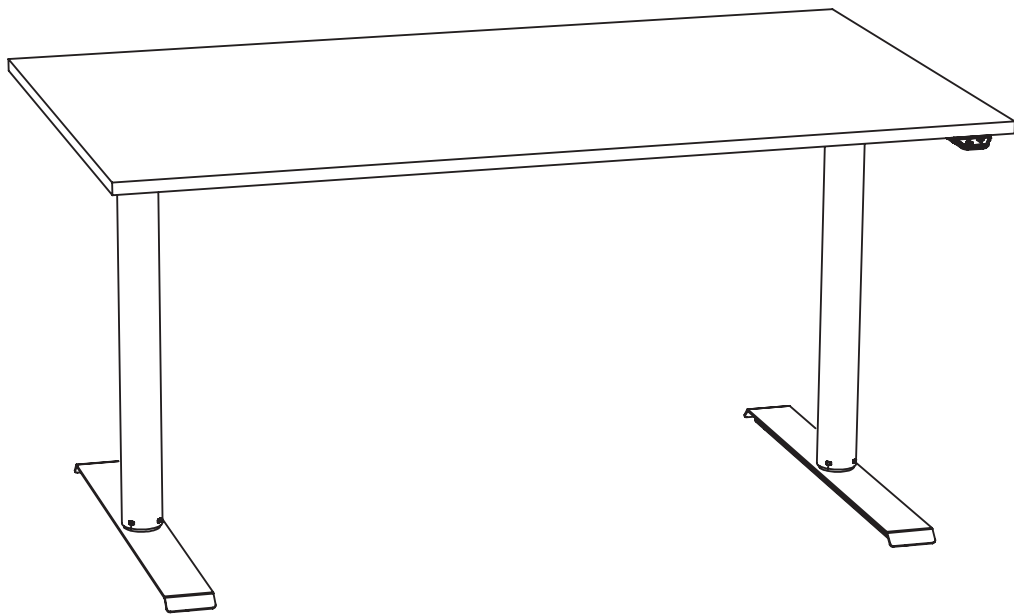
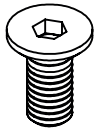


ERGOFUNK II

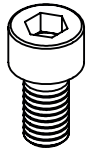


LANAB GROUP:

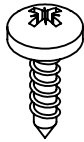
Ergofunk II • 1/6 • 2021.04.06 • www.lanabgroup.se



A x 12
M6 x 14 mm



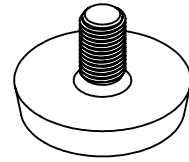
B x 8
M6 x 12 mm



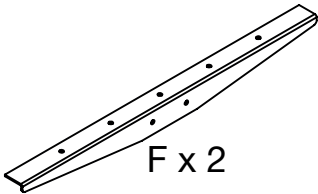
C x 20
5.0 x 16 mm



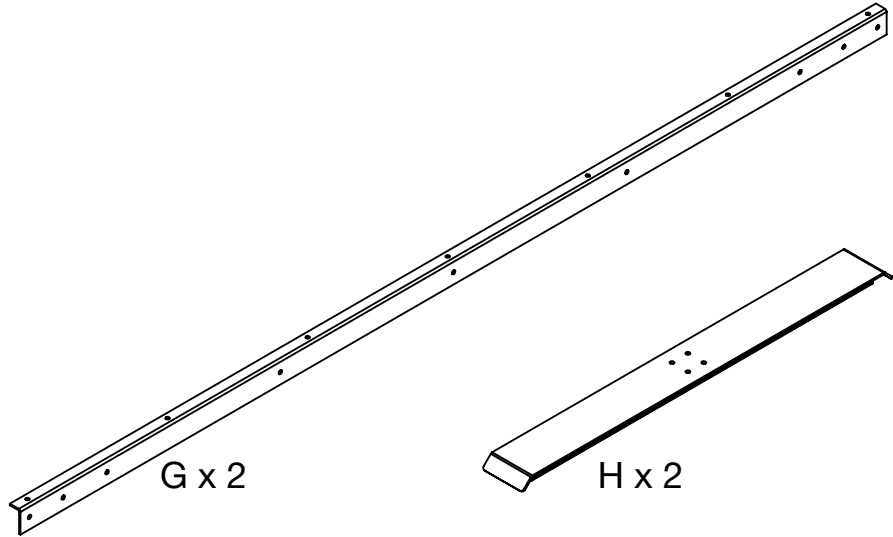
D x 2
3.5 x 16 mm



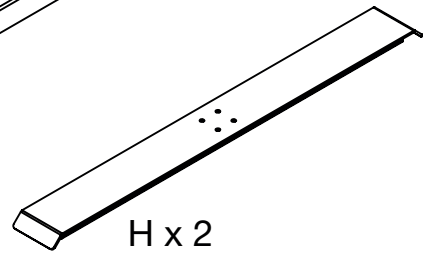
E x 4
M8 x 16 mm



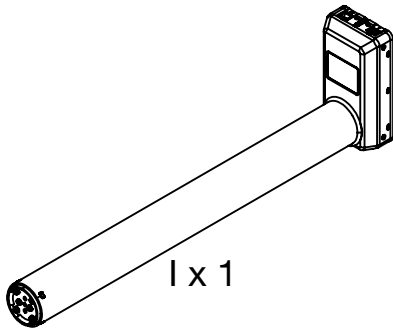
F x 2



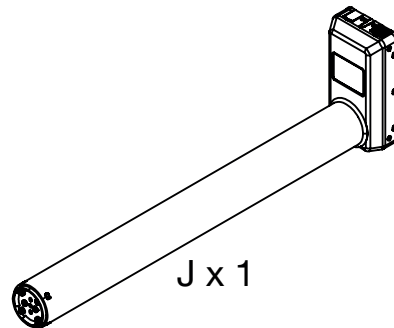
G x 2



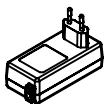
H x 2



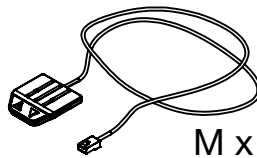
I x 1



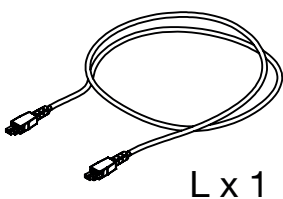
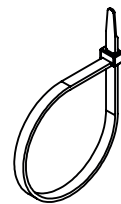
J x 1



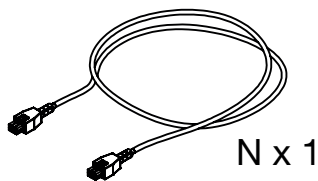
+ K x 1



M x 1

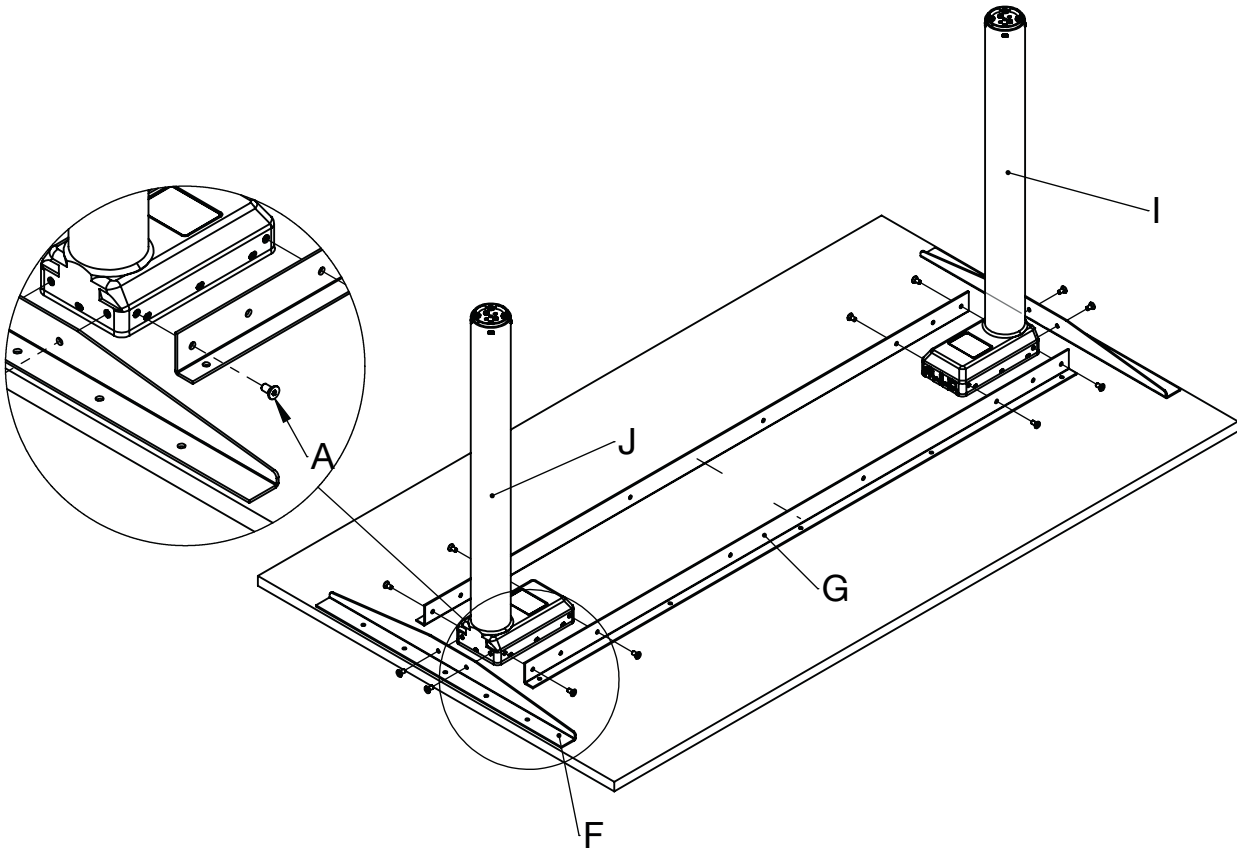


L x 1



N x 1

1.



2.

