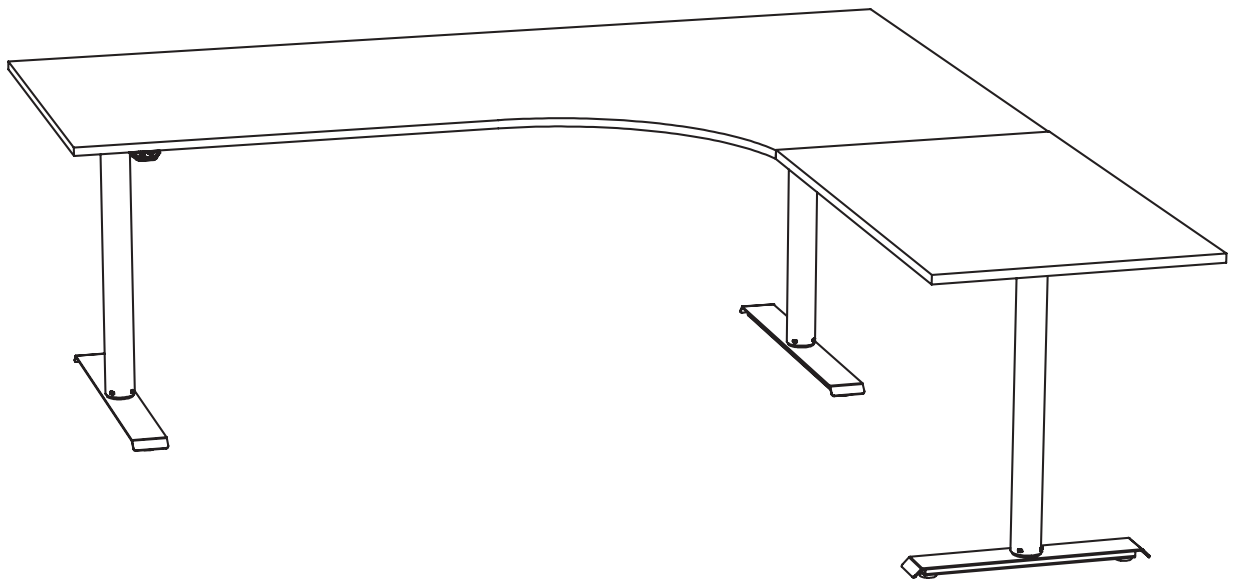


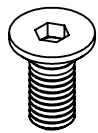
ERGOFUNK II

3-LEGS

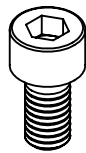


LANAB GROUP:

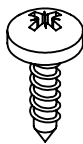
Ergofunk II 3-legs • 1/6 • 2021.04.06 • www.lanabgroup.se



A x 20
M6 x 14 mm



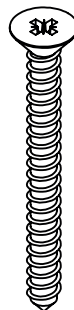
B x 12
M6 x 12 mm



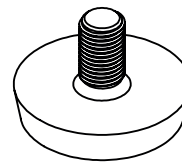
C x 45
5.0 x 16 mm



D x 2
3.5 x 16 mm



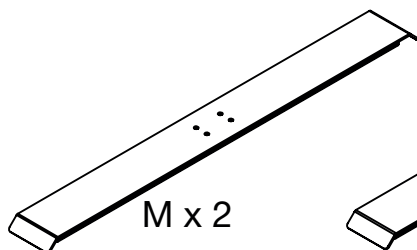
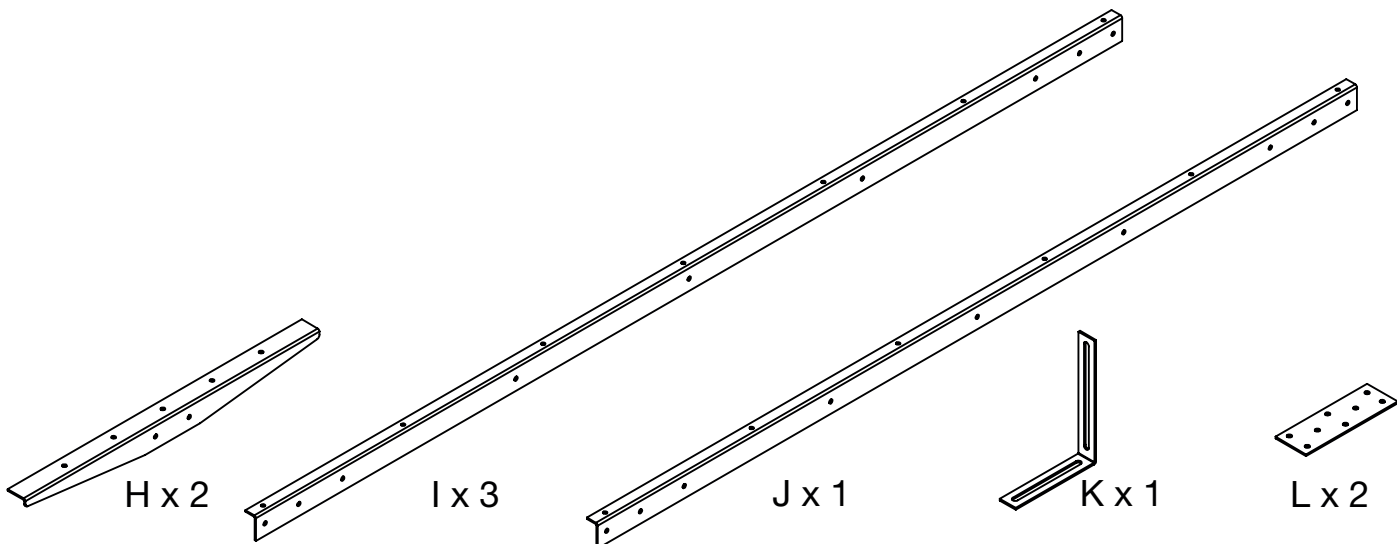
E x 2
4.5 x 45 mm



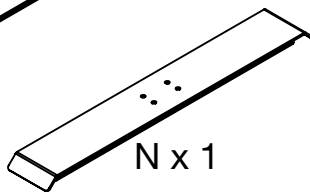
F x 6
M8 x 16 mm



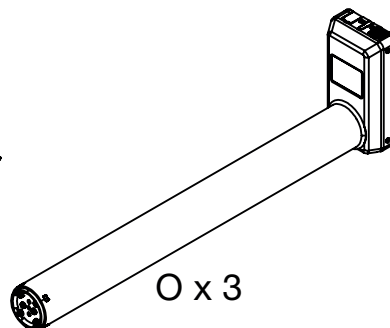
G x 2
M6



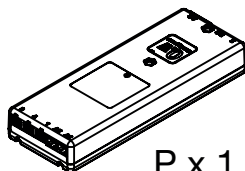
M x 2



N x 1

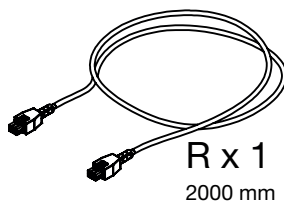


O x 3



P x 1

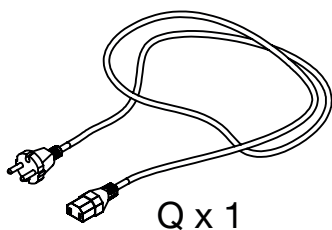
+



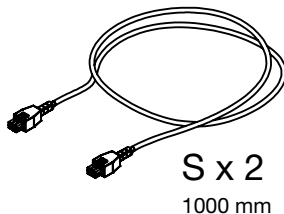
R x 1
2000 mm



T x 1

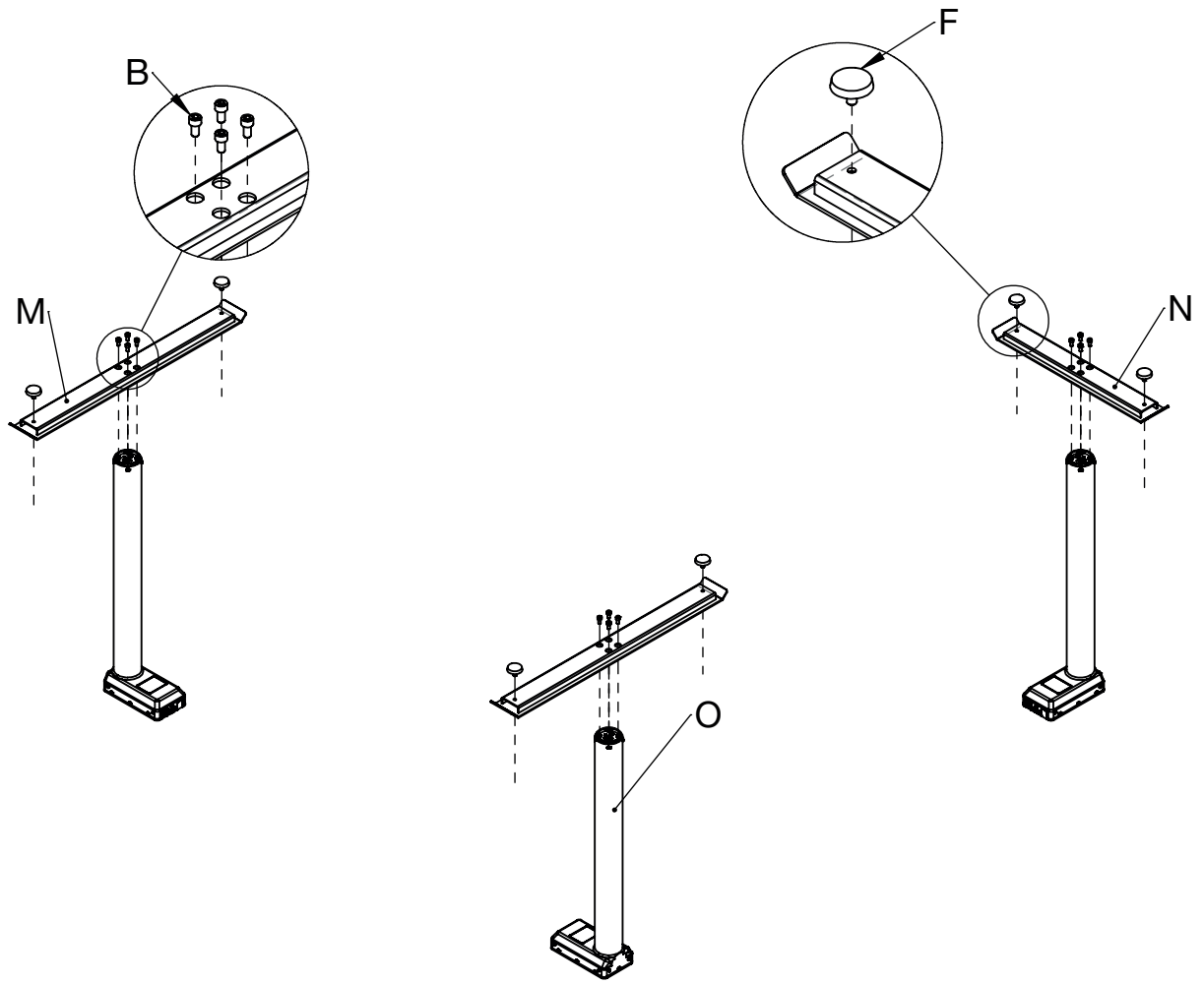


Q x 1



S x 2
1000 mm

1.



2.

